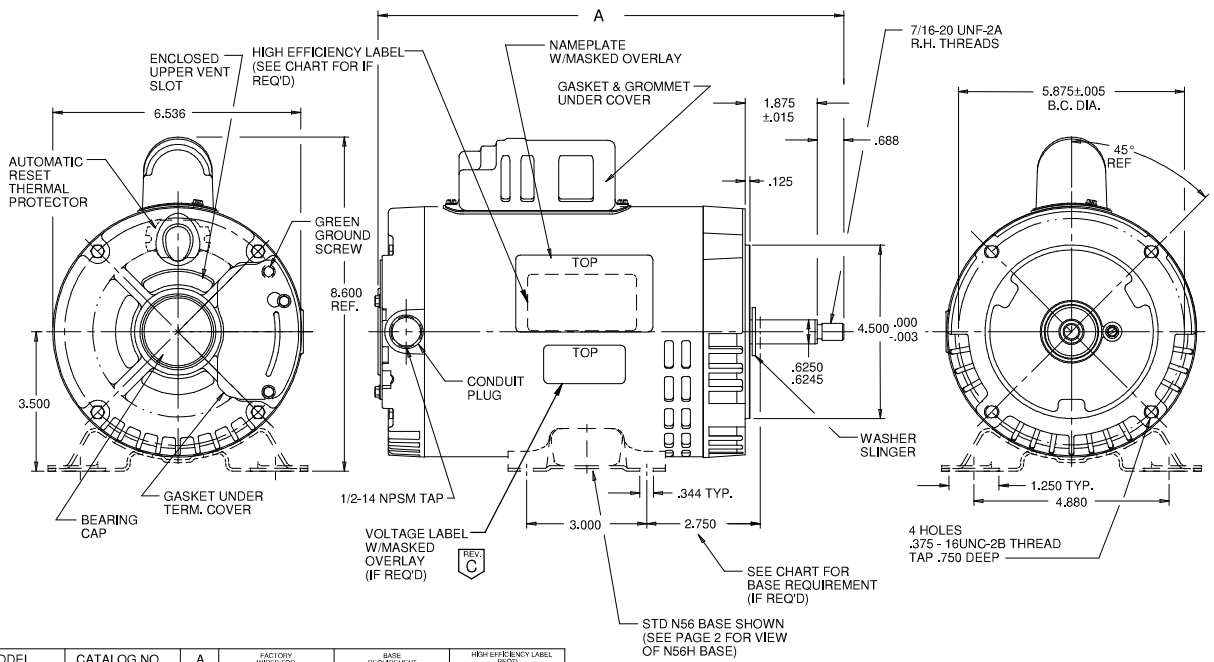




Catalog #: EU1502B

Model Number:	C063HLN5022013J
PRODUCT NAME:	1.5 HP - ODP - 3450
PHASETYPE:	1_CAPACITOR START
MOTOR ENCLOSURE:	ODP
HORSEPOWER:	1.5
KILOWATTS:	1.1
POLES:	2
NUMBER SPEEDS:	1
RPM:	3450
RPM 2:	2850
HERTZ:	60
HERTZ 2:	50
VOLTS PRIMARY:	115/208-230 & 110/220 V
VOLTS :	115
VOLTS 2:	208
VOLTS 3:	230
VOLTS 4:	110
VOLTS 5:	220
FRME :	56
SHAFT CODE:	J
STATOR DIAMETER:	6.3
STACK:	2.875
MOUNTING:	J-FACE/REM BASE
MOTOR TYPE:	FHP
OPPOSITE END BEARING:	6203
SHAFT END BEARING:	6203
AMBIENT:	40
ROTATION:	CW LEAD END
STARTCAPMFD:	238
SHIPPING WEIGHT:	35
THERMAL PROTECTION:	AUTOMATIC RESET
BREAKDOWN TORQUE:	109.7
BREAKDOWN TORQUE UOM:	OZFT
LOCKED ROTOR TORQUE:	50.05
LOCKED ROTOR TORQUE UOM:	OZFT
INSULATION CLASS:	B
KVA CODE LETTER:	K
LOCKED ROTOR AMPS:	89.09
FULL LOAD AMPS PRIMARY:	18.2/9.2-9.1
SERVICE FACTOR AMPS PRIMARY:	21.8/11.3-10.9



VAR	MODEL	CATALOG NO.	A	FACTORY WINDINGS	BASE REQUIREMENT	HIGH EFFICIENCY LABEL (REQ'D)
001	C63CXHKC-4992	EU1502	12,874	HIGH VOLTAGE	NO	NO
002	C63CXHKZ-5009	EU1002B	12,374	HIGH VOLTAGE	REMOVABLE N56	YES
003	C63CXHLM-5021	EU0752B	12,124	HIGH VOLTAGE	REMOVABLE N56	NO
004	C63CXHLN-5022	EU1502B	12,874	HIGH VOLTAGE	REMOVABLE N56H	YES
005	C63CXHLW-5027	EU1004	12,124	HIGH VOLTAGE	REMOVABLE N56	YES

SHEET NUMBER	REV	REVISION RECORD FOR: C6279-00
1 OF 2	C	CHANGED POSITION OF "VOLTAGE LABEL"
REVISION DATE		
07-SEP-12		
ISSUED BY	REVIEWED BY	ENGINEER APPROVED
B. ANDRADE	O. CERDA	O. CERDA

INFORMATION DISCLOSED ON THIS DOCUMENT IS CONSIDERED PROPRIETARY AND SHALL NOT BE REPRODUCED OR DISCLOSED WITHOUT WRITTEN CONSENT OF NIDEC MOTOR CORPORATION

NIDEC MOTOR CORPORATION

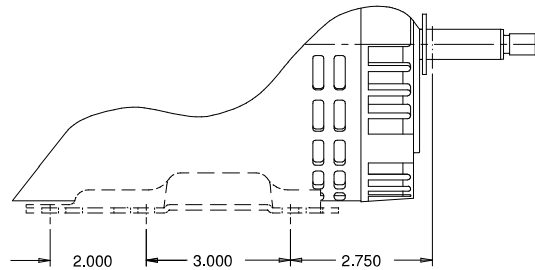
ALL DIMENSIONS ARE FOR REFERENCE ONLY UNLESS TOLERANCE IS GIVEN

NIDEC MOTOR CORPORATION 12-Sep-12

TITLE
ASSEMBLED VIEW

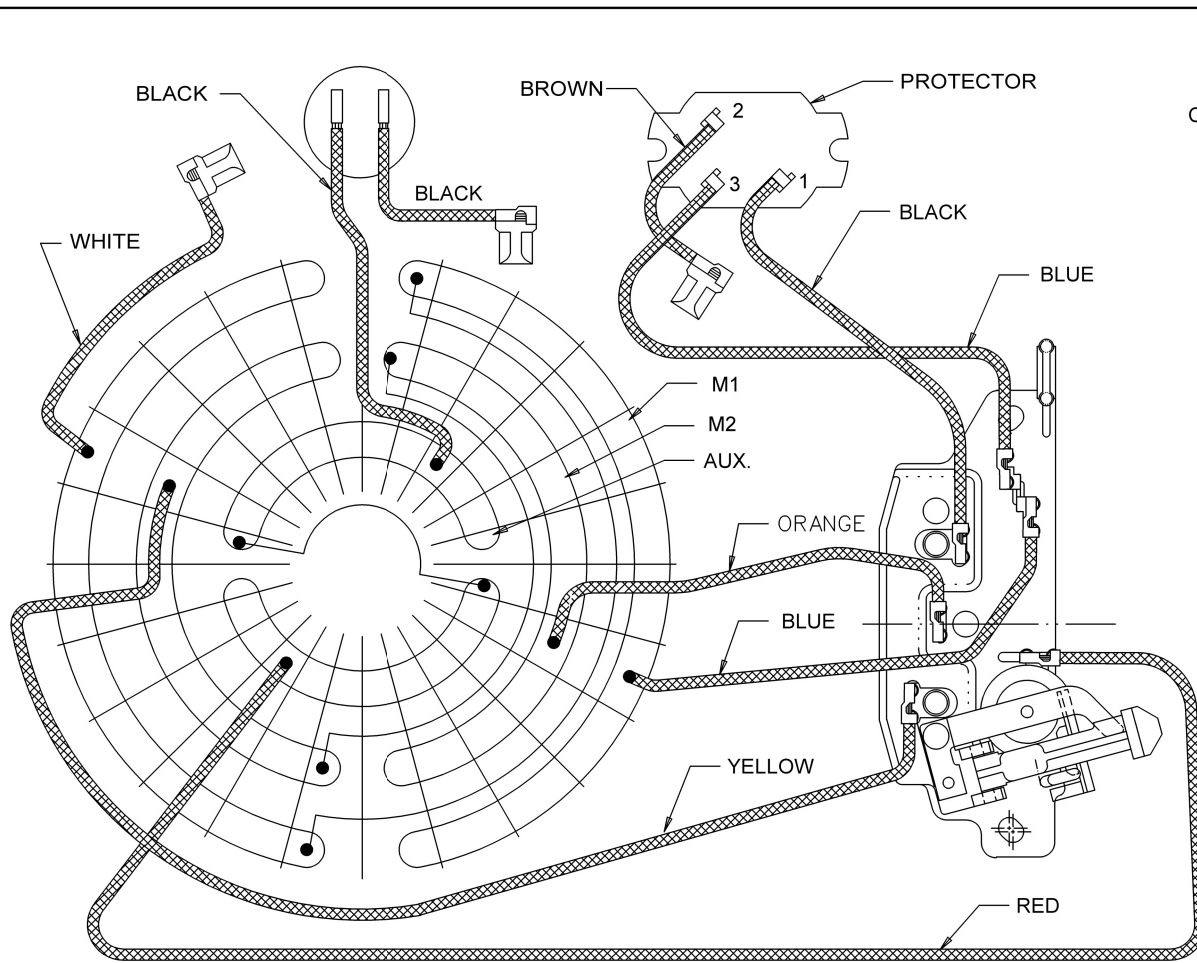
CODE	ITEM NO.	SIZE
V01	744080	B

VAR	MODEL	CATALOG NO.	A	FACTORY WIRED FOR	BASE REQUIREMENT	HIGH EFFICIENCY LABEL REQD
006	C63CXHLT-5026	EU0754	11,374	HIGH VOLTAGE	REMOVABLE N56	NO
007	C63JXHLS-5025	EU0504	10,874	LOW VOLTAGE	REMOVABLE N56	YES
008	C63JXHLR-5024	EU0334	10,624	LOW VOLTAGE	REMOVABLE N56	YES
009	C63CXHLL-5020	EU0502B	11,624	LOW VOLTAGE	REMOVABLE N56	NO
010	C63JXHLK-5019	EU0332B	11,374	LOW VOLTAGE	REMOVABLE N56	NO

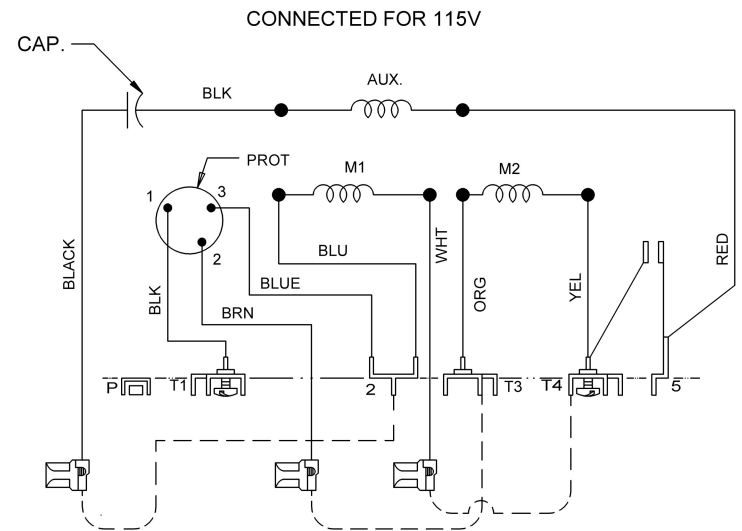


PARTIAL VIEW
SHOWING N56H BASE

SHEET NUMBER 2 OF 2	REV C	REVISION RECORD FOR: C6279-00		INFORMATION DISCLOSED ON THIS DOCUMENT IS CONSIDERED PROPRIETARY AND SHALL NOT BE REPRODUCED OR DISCLOSED WITHOUT WRITTEN CONSENT OF NIDEC MOTOR CORPORATION	NIDEC MOTOR CORPORATION	
	REVISION DATE 07-SEP-12	ISSUED BY B. ANDRADE	REVIEWED BY O. CERDA			
NIDEC MOTOR CORPORATION 12-Sep-12				ALL DIMENSIONS ARE FOR REFERENCE ONLY UNLESS TOLERANCE IS GIVEN		SIZE B
				TITLE ASSEMBLED VIEW	CODE V01	ITEM NO. 744080



ROTATION: CW SWITCH END



FOR HIGH VOLTAGE:
BRN TO P
BLK TO 3
WHT TO 3

L1 TO T1
L2 TO T4

(C 2P DUAL VOLTAGE NON-REV W/CAP AND PROT.)

REV
A

REFER TO SEIM 24-1

N/P CONNECTION DIAGRAM - I20742151

NIDEC CONFIDENTIAL
NIDEC MOTOR CORPORATION 04-Oct-13

REVISION DESCRIPTION FOR: C8396-07	SCALE	UNITS	TITLE	NIDEC MOTOR CORPORATION
CHANGED FROM MICROSTATION TO SOLIDEDGE	NONE	INCHES	DIAGRAM OF CONNECTIONS	
MATERIAL:	TOLERANCES ON DIMENSIONS (UNLESS OTHERWISE SPECIFIED)		ISSUED BY	REVISION DATE
	INCHES	mm	A. SANCHEZ	04-OCT-13
	± .015		APPROVED BY	J.I. SALAZAR
	ANGLES ±		CODE	D04
			DWG NO.	744072
			REV	A
			SHEET NUMBER	1 OF 1
			DWG SIZE	B

Special Application Commercial Pump Single Phase Open Drip Proof (ODP) C-Face



APPLICATIONS:

For use on chiller, condensate, and other HVAC duty pumps, booster and irrigation pumps, dishwasher and part washer pumps, watering and de-watering pumps, and other commercial duty pumping applications.

FEATURES:

- Double Sealed Ball Bearings - Locked Drive End Bearing
- 50/60 Hertz Motors have 1.0 Service Factor on 50 Hertz
- Class B Insulation
- Continuous Duty
- 40°C Ambient
- F1 Assembly
- Reversible Rotation
- Shaft Threads for 56J Mount: 7/16-20 UNC-2A

HP	RPM	Voltage	Frame	Catalog Number	List	Discount Symbol	Base (Feet)	SF	"C" Dim. (inches)	Ship Wt. (lbs)	Max Amps	Notes
1/4	1200	115	56C	D14B3NCR	\$326	DS-3FMP	No	1.35	10.9	20	6.2	25
1/3	3600	115/208-230	56C	EC0332	\$208	DS-3FMP	No	1.75	10.8	16	8.0/4.2-4.0	24,98
	3600	115/208-230	56C	EC0332B	\$214	DS-3FMP	Rigid	1.75	10.8	17	8.0/4.2-4.0	24,98
	3600	115/208-230	56J	EU0332	\$214	DS-3FMP	No	1.75	11.3	18	8.0/4.2-4.0	24,98
	3600	115/208-230	56J	EU0332B	\$219	DS-CPMP	Removable	1.75	11.4	18	8.6/4.5-4.3	24,98
	1800	115/230	56C	D13CP2PCR	\$423	DS-3FMP	No	1.35	10.8	18	4.6/2.3	25
	1800	115/208-230	56J	EU0334	\$280	DS-3FMP	Removable	1.35	10.6	12	8.3/4.1-4.2	24
1/2	3600	115/208-230	56C	EC0502	\$280	DS-3FMP	No	1.60	11.2	22	10.8/5.9-5.4	24,98
	3600	115/208-230	56J	EU0502	\$285	DS-3FMP	No	1.60	11.7	17	10.8/5.9-5.4	24,98
	3600	115/208-230	56J	EU0502B	\$290	DS-3FMP	Removable	1.60	11.6	18	10.4/5.1-5.2	24,98
	1800	115/230	56C	D12CP2PCR	\$497	DS-3FMP	No	1.25	10.9	22	5.9/3.0	25
	1800	115/230	56C	D12CPA2PCR	\$570	DS-3F	No	1.25	9.9	22	5.9/3.0	24
	1800	115/208-230	56C	EC0504B	\$456	DS-3FMP	Rigid	1.25	10.4	22	10.0/5.1-5.0	24
	1800	115/208-230	56J	EU0504	\$453	DS-3FMP	Removable	1.25	10.9	29	10.0/5.1-5.0	24
3/4	3600	115/230	56C	D34CPM1PCR	\$516	DS-3FMP	No	1.25	11.4	24	8.1/4.2	23
	3600	115/208-230	56C	D34CA1JCR	\$388	DS-3FMP	No	1.25	11.4	32	12.1/6.3-6.1	24,LA
	3600	115/208-230	56C	EC0752	\$350	DS-3FMP	No	1.50	11.9	18	12.8/7.0-6.4	24,98
	3600	115/208-230	56J	EU0752B	\$359	DS-3FMP	Removable	1.50	12.1	27	14.0/7.3-7.0	24,98
	3600	115/208-230	56J	EU0752	\$355	DS-3FMP	No	1.50	12.4	23	12.8/7.0-6.4	24,98
	1800	115/230	56C	D34CP2PCR	\$610	DS-3FMP	No	1.25	11.9	29	8.2/4.1	25
	1800	115/230	56C	D34CPA2PCR	\$690	DS-3FMP	No	1.25	13.0	29	8.2/4.1	24
	1800	115/208-230	56J	EU0754	\$553	DS-3FMP	No	1.25	11.9	29	8.2/4.1	25
1	3600	115/208-230	56C	EC1002	\$404	DS-3FMP	No	1.40	12.2	20	15.4/8.5-7.7	24,98
	3600	115/230	56C	D1CPA1PCR	\$560	DS-3FMP	No	1.25	12.9	29	11.5/5.5	24
	3600	115/208-230	56J	EU1002B	\$413	DS-3FMP	Removable	1.40	12.4	29	16.2/8.6-8.1	24,98
	3600	115/208-230	56J	EU1002	\$409	DS-3FMP	No	1.40	12.7	23	15.4/8.5-7.7	24,98
	1800	115/230	56C	D1CP2PCR	\$662	DS-3FMP	No	1.15	13.0	31	9.2/4.6	25
	1800	115/208-230	56C	EC1004B	\$615	DS-3FMP	Rigid	1.15	11.6	31	16.4/8.4-8.2	24

Note 24 Automatic Reset Thermal Protector Overload
 Note 25 Non-protected
 Note 98 50/60 Hertz Motor
 Note LA Limited Availability

BRAKEMOTORS
 GENERAL PURPOSE SINGLE PHASE
 HVAC
 WASHDOWN
 AGRICULTURE
 COMMERCIAL PUMP MOTORS
 CLOSE COUPLED PUMP MOTORS
 FIRE PUMP MOTORS
 POOL & SPA MOTORS
 RESIDENTIAL WATER PUMP
 ELEVATOR GATE & DOOR

Special Application Commercial Pump Single Phase Open Drip Proof (ODP) C-Face



(continued)

HP	RPM	Voltage	Frame	Catalog Number	List	Discount Symbol	Base (Feet)	SF	"C" Dim. (inches)	Ship Wt. (lbs)	Max Amps	Notes
1 1/2	3600	115/208-230	56C	EC1502	\$490	DS-3FMP	No	1.30	12.4	33	21.8/11.3-10.9	24,98
	3600	115/208-230	56J	EU1502	\$494	DS-3FMP	No	1.30	12.9	33	21.8/11.3-10.9	24,98
	3600	115/208-230	56J	EU1502B	\$501	DS-3FMP	Removable	1.30	12.9	35	21.8/11.3-10.9	24,98
	1800	115/230	56HC	D32CP2PCR	\$693	DS-3FMP	No	1.15	12.9	37	14.6/7.3	25
2	3600	115/208-230	56C	EC2002	\$618	DS-3FMP	No	1.20	12.4	32	22.2/12.2-11.1	18,24,98
	3600	115/208-230	56C	EC2002B	\$620	DS-3FMP	Rigid	1.20	12.4	33	22.2/12.2-11.1	18,24,98
	3600	115/208-230	56J	EU2002	\$619	DS-3FMP	No	1.20	12.9	32	22.2/12.2-11.1	18,24,98
	3600	115/208-230	56J	EU2002B	\$626	DS-3FMP	Removable	1.20	12.9	33	22.2/12.2-11.1	18,24,98
	1800	115/230	56C	D2CP2PCR	\$990	DS-3FMP	No	1.15	13.4	42	19.6/9.8	25
3	3600	208-230	56C	EC3002	\$700	DS-3FMP	No	1.15	12.9	37	15.7-14.2	18,24
	3600	208-230	56J	EU3002	\$705	DS-3FMP	No	1.15	13.4	37	15.7-14.2	18,24
	3600	208-230	56J	EU3002B	\$710	DS-3FMP	Removable	1.15	13.4	38	15.7-14.2	18,24

Note 18 Incorporates Run Capacitor
 Note 24 Automatic Reset Thermal Protector Overload
 Note 25 Non-protected
 Note 98 50/60 Hertz Motor
 Note LA Limited Availability